

FIG. 1

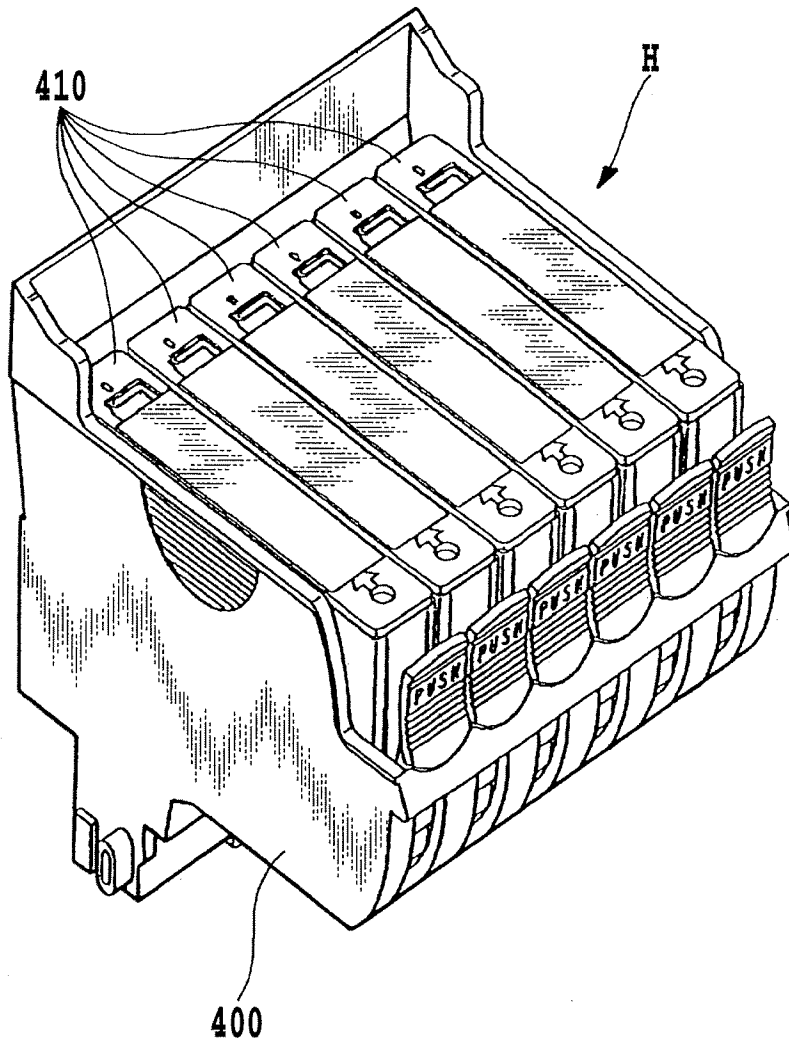


FIG.2

REPLACEMENT SHEETS

3/10

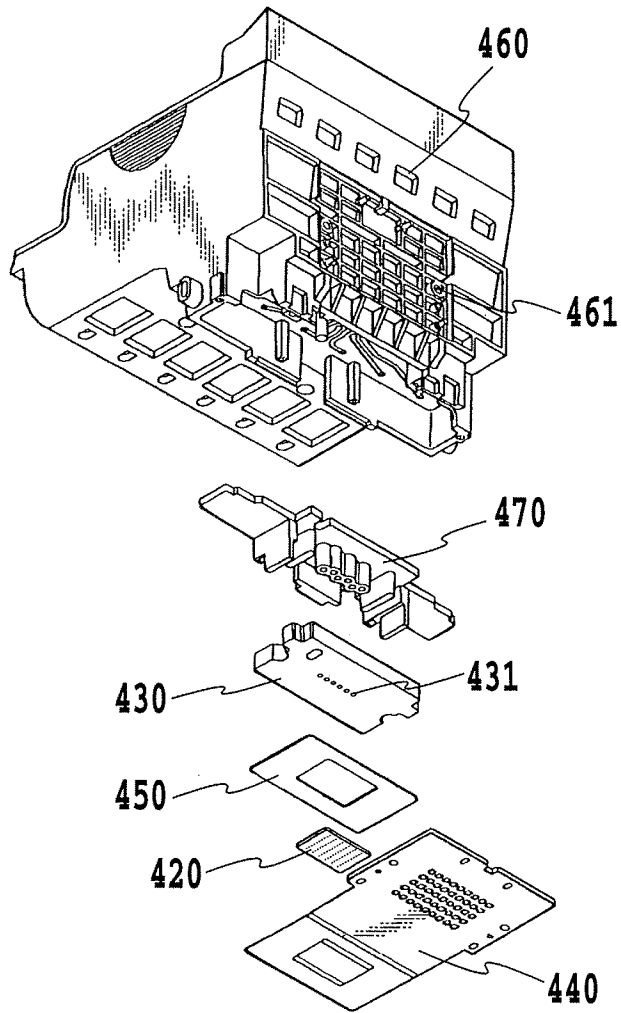


FIG.3

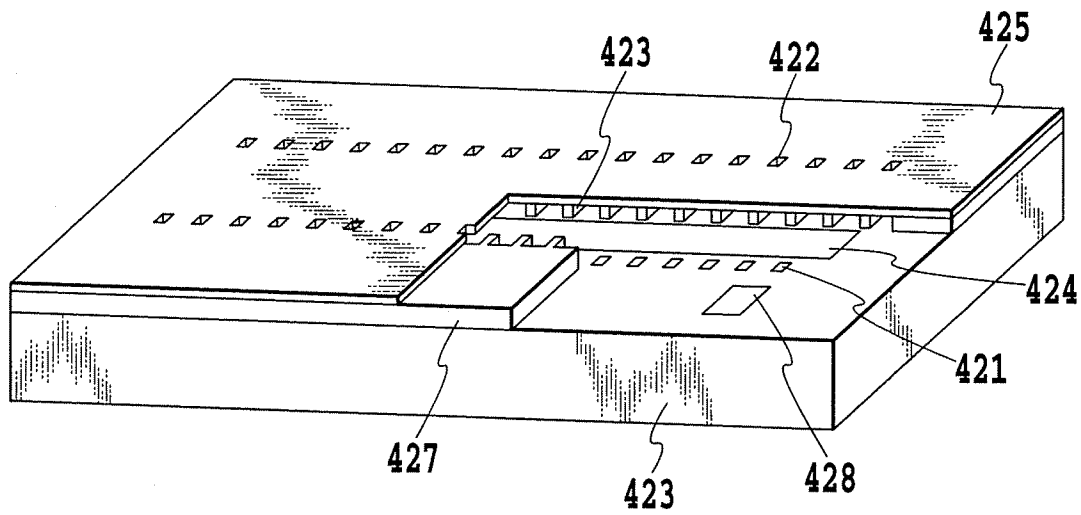


FIG.4

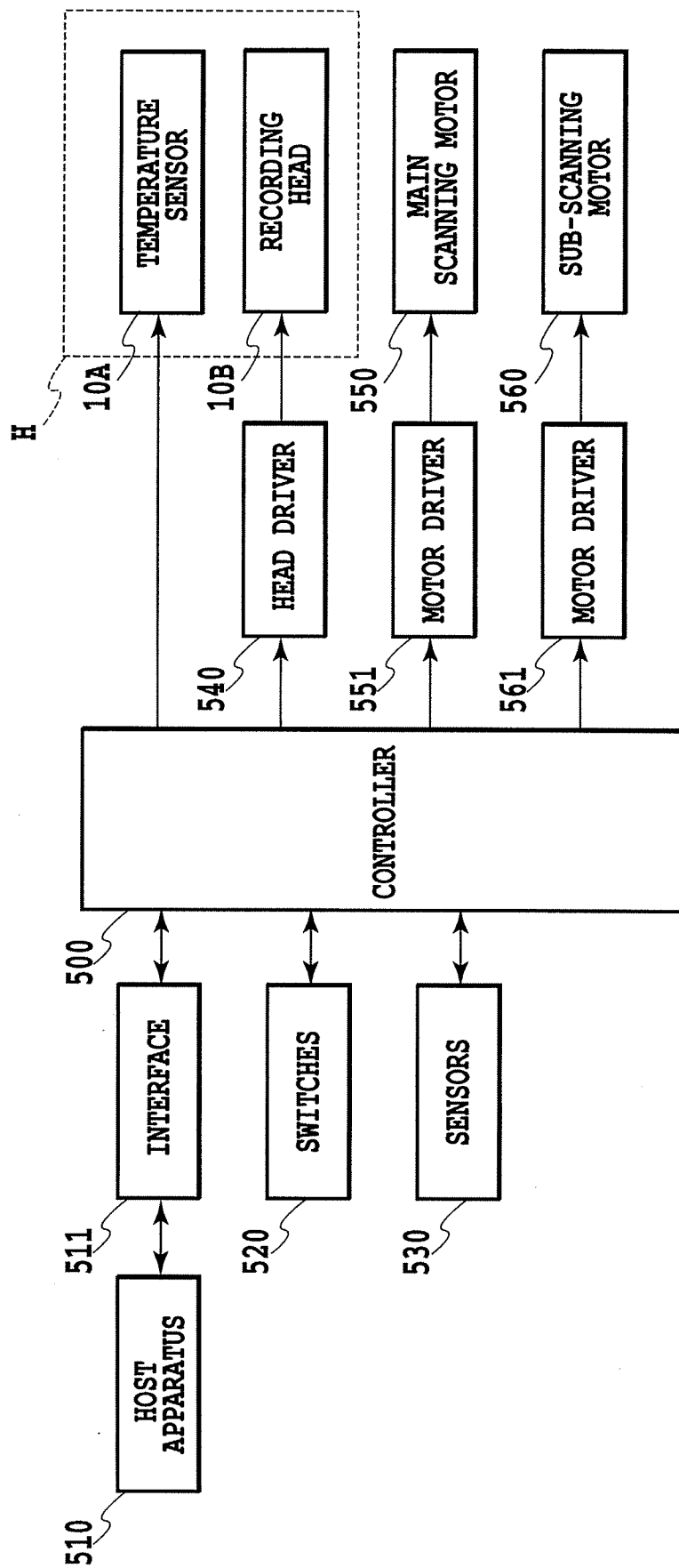


FIG.5

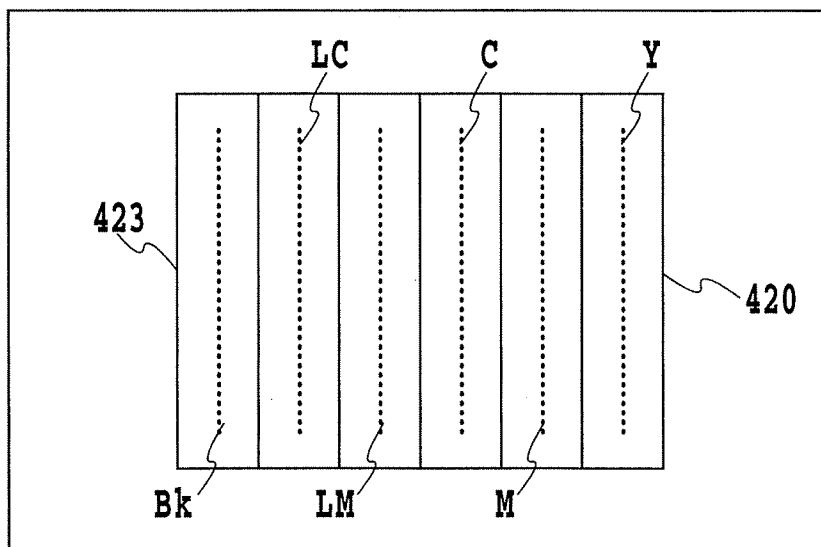


FIG.6

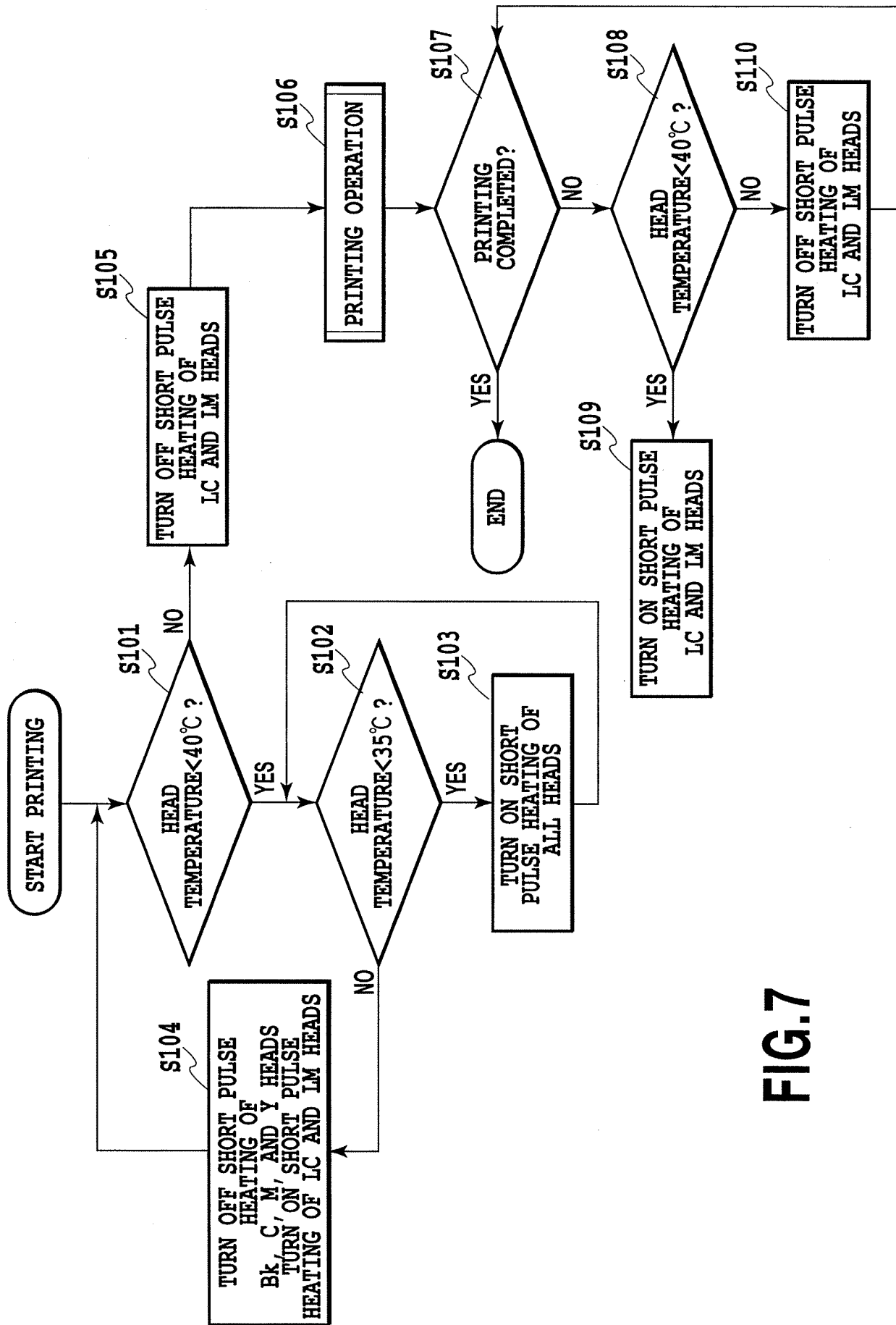


FIG.7

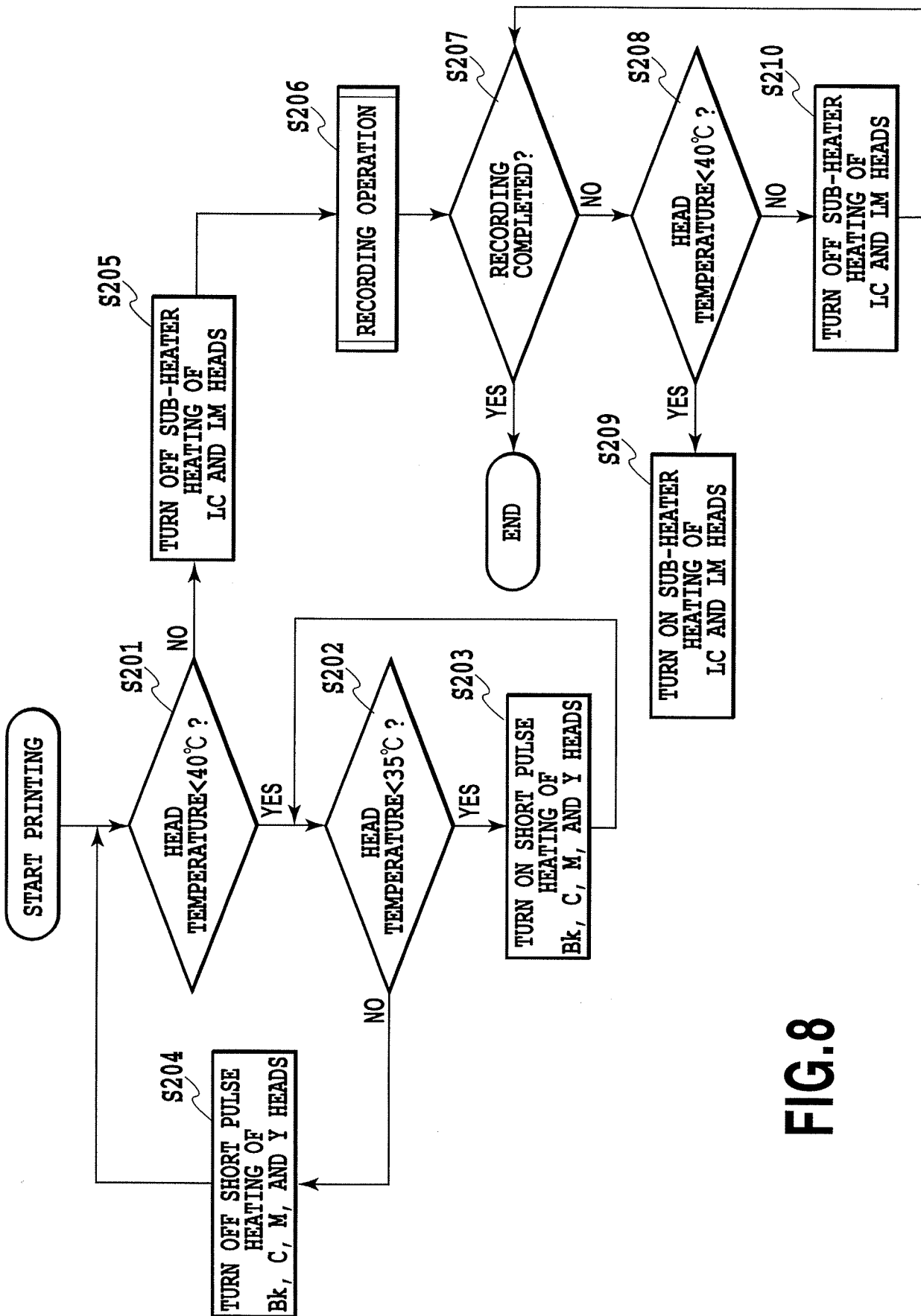


FIG. 8

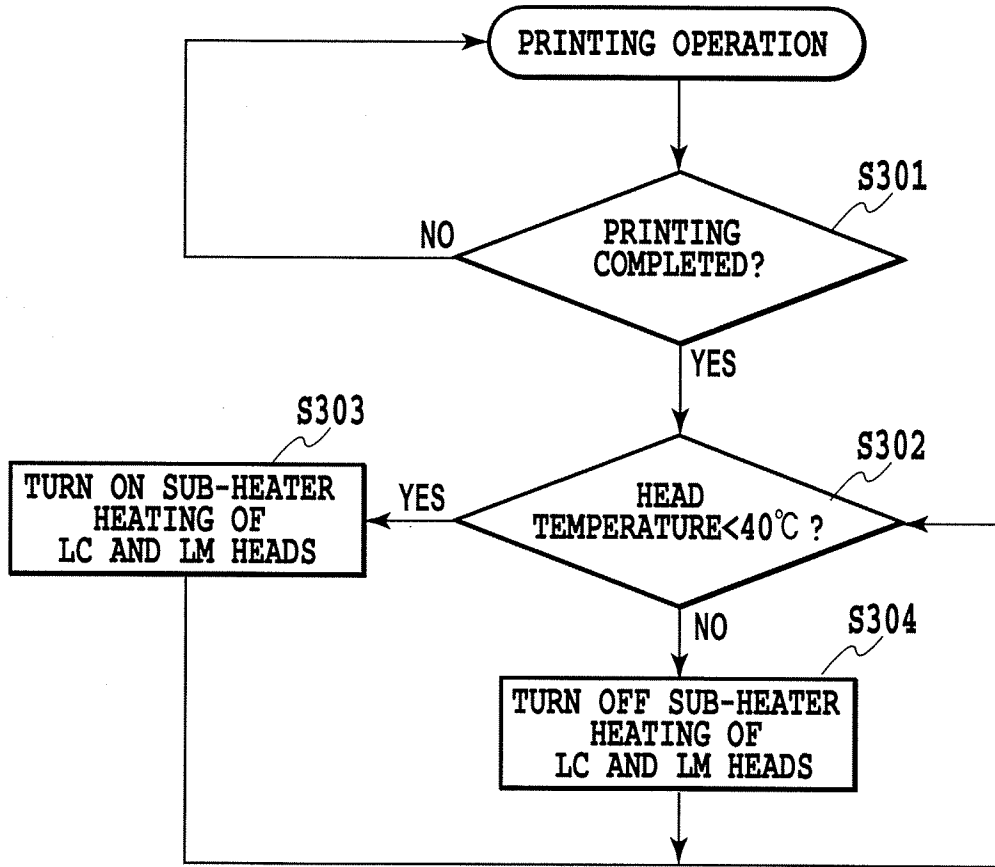


FIG.9

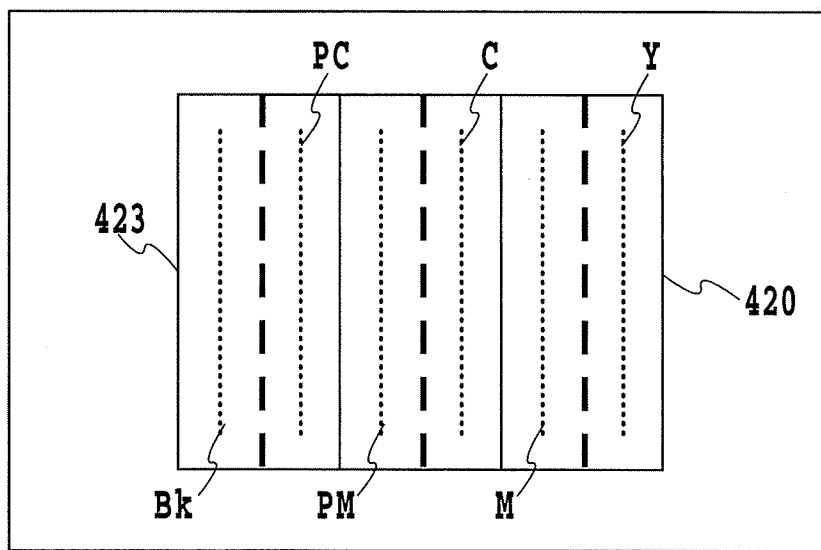


FIG.10